



# ROCCO

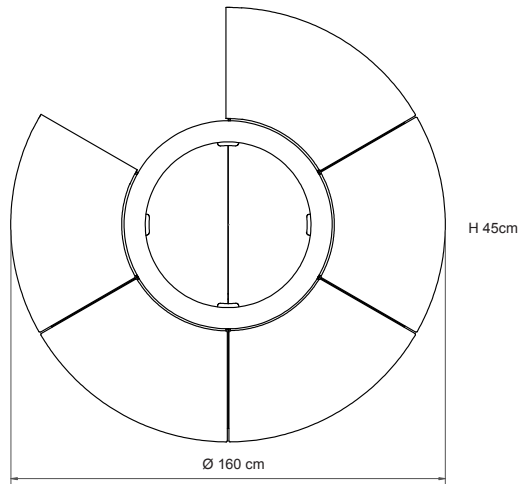
Code  
RCC-B-001

Rocco is a multifunctional garden object. Thanks to the recess in the design, the central part remains easily accessible. This central zone enables you to change Rocco's function using the different accessories. A number of cut-outs at the bottom of the base enable air circulation or water evacuation. The combination of Corten steel and black aluminium makes Rocco totally rust-resistant.

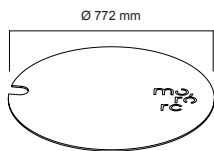
Standard with base + fire bowl.  
Optional accessories are the grill, table top, table top with ice bucket, cover and a parasol base.

The standard colour is black. A RAL colour of your choice is also available on request.

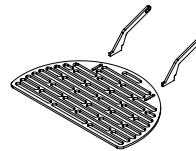
## technical data



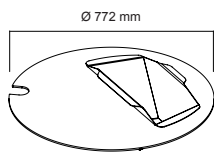
## optional



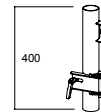
**ROCCO | table top**  
art.: RCC-B-004  
materials:  
powder coated aluminium



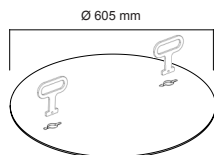
**ROCCO | grill**  
art.: RCC-B-002  
materials:  
stainless steel



**ROCCO | table top with ice bucket**  
art.: RCC-B-003  
materials:  
powder coated aluminium  
stainless steel



**ROCCO | parasol base**  
suitable for parasol pole Ø38-40  
art.: RCC-B-005  
materials: galvanised steel



**ROCCO | cover**  
art.: RCC-B-006  
materials:  
weathering steel  
handles in black aluminium

## maintenance

It is recommended to clean the surfaces using a soft cloth with warm water and a mild neutral soap. Do not use abrasive substances or solvents.